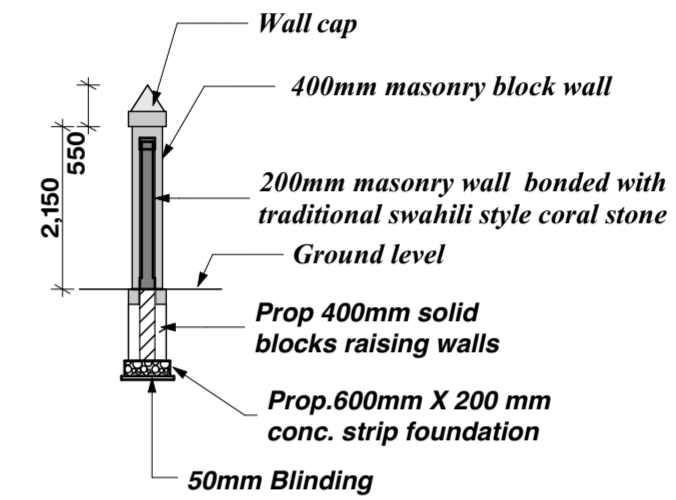
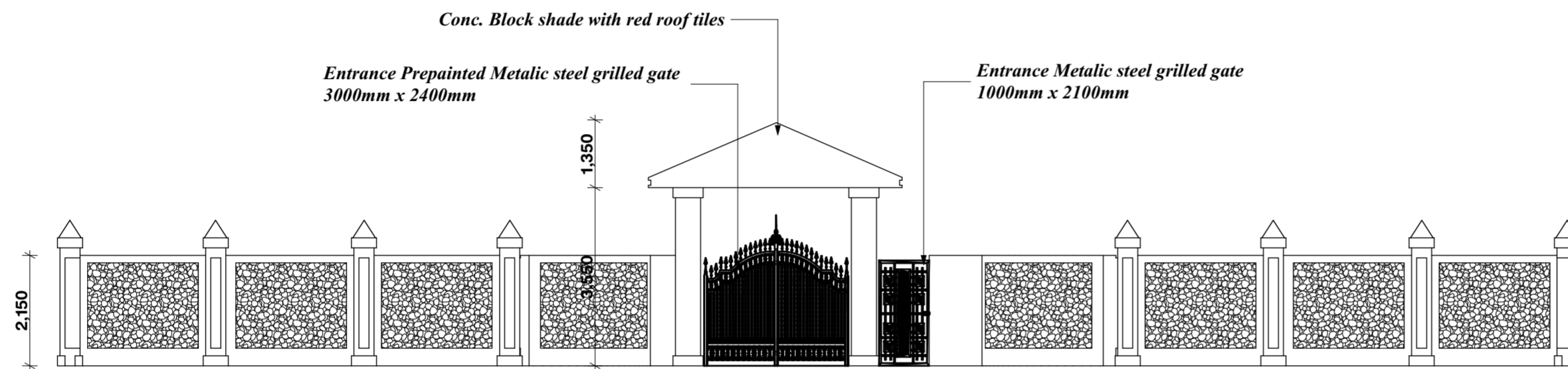
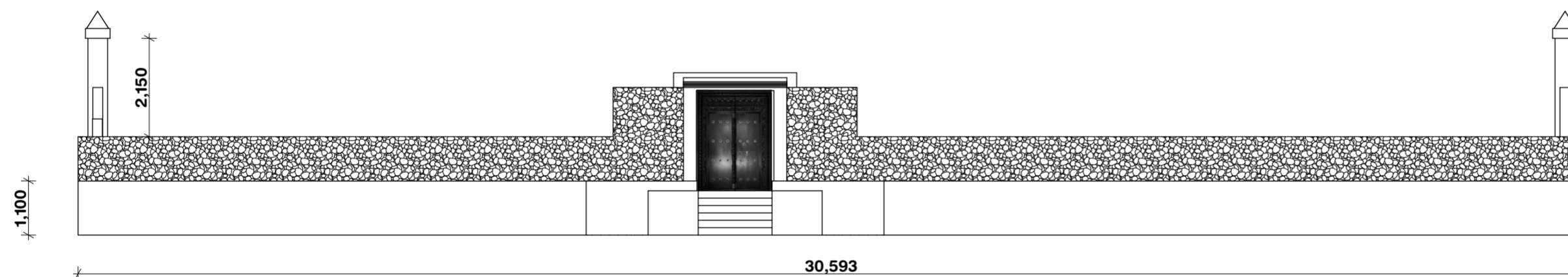


SOUTH ELEVATION

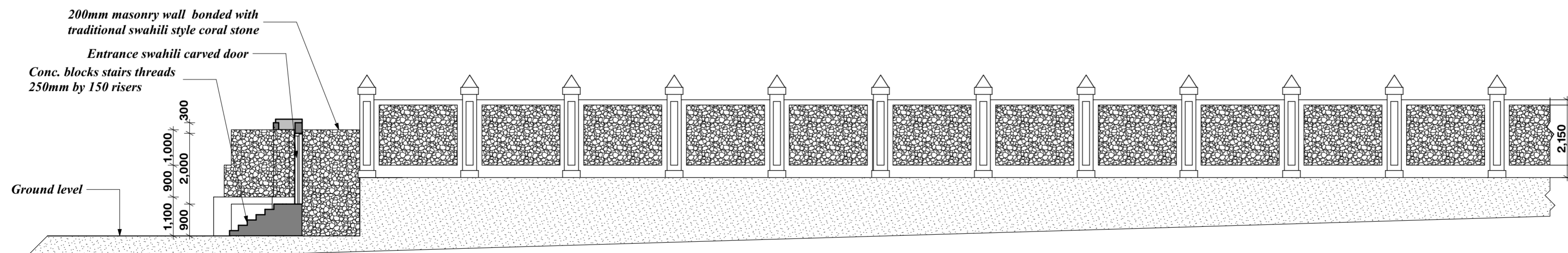


SECTION A - A

EAST ELEVATION



WEST ELEVATION



SECTION B - B

Project title

PROPOSED DEVELOPMENT PERIMETER WALL PLAN ON PLOT NO. LR NO. 24444 RAS KITAU, SHELLA , LAMU COUNTY.

Client

COUNTY ASSEMBLY OF LAMU LAMU COUNTY

Drawing Title

ELEVATIONS & SECTIONS

DATE: NOV. 2022

SCALE: 1 : 100

DRAWING NO: 01

SHEET NO: 02

JB NO: LAM/11/01

DRAWN BY: MZ

CHECKED /APPV. BY: